

G022878

System: CGD50/500

Gas Detector **PG11 & PGE11** **Duct Kit**

Part no. Range: 5101564-00 - 5101579-00

General Description

The PG11 & PGE11 Duct Kits are designed for mounting of PG11 & PGE11 detectors in ventilated double skin pipes and HVAC installations.

The duct kit flange is designed for DIN PN6 and JIS 5K.

The duct kits include a flange and all necessary assembly parts (as illustrated in [Assembly drawing, page 6](#)). The duct kits can be ordered separately or in combination with a detector; see the following sections for dimensions, available combinations, and the corresponding part no.

Standard M20 Ex E polyamid cable gland is included in detector duct kit, cable \varnothing min. 7 mm to max. 13mm.

Max pressure is 1.5 BarA. Pressure coefficient 1% of reading per kPa. The detector is calibrated in atmospheric pressure. A change in pressure affects the measured value by 1% for each kPa that deviates from atmospheric pressure.

About the PG11 & PGE11 detectors

PG11 & PGE11 are explosion-proof rugged optical point gas detectors developed for detection of flammable gases and carbon dioxide in harsh environments.

The following detectors are available with a duct kit:

Product name	Part no.
PG11 Point CH4, WH, 0-100%LEL	5101555-00
PG11 Point C3H8, WH, 0-100%LEL	5101556-00
PGE11 Ext. CH4, 0-100%LEL 16cm	5101561-00

For detailed information about the detectors, see the PG11 & PGE11 product datasheets.

Ordering Information

Select part no. for a separate Duct Kit or for a combination of a PG11 or PGE11 Detector and a Duct Kit.

DUCT KIT PG11 & PGE11 DIN 150

Duct Kit		Detector + Duct Kit	
Part No.	Name	Part No.	Name
5101576-00	DUCT KIT PG11 & PGE11 DIN 150	5101568-00	DUCT KIT PG11 DIN 150 METHANE 0-100% LEL
		5101569-00	DUCT KIT PG11 DIN 150 PROPANE 0-100% LEL
		5101574-00	DUCT KIT PGE11 DIN 150 METHANE 16 CM 0-100% LEL

Flange dimensions (mm):

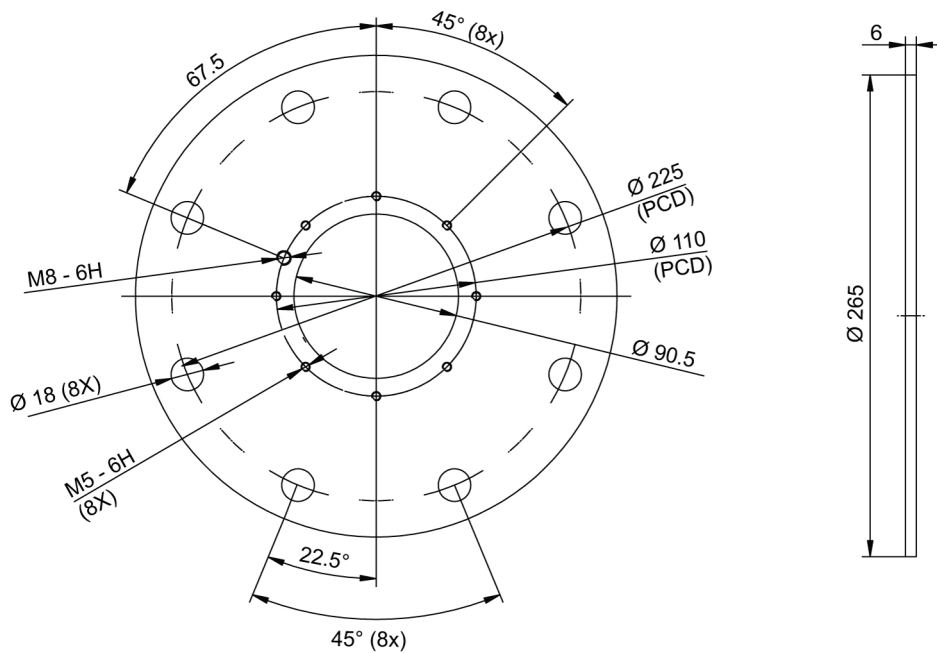


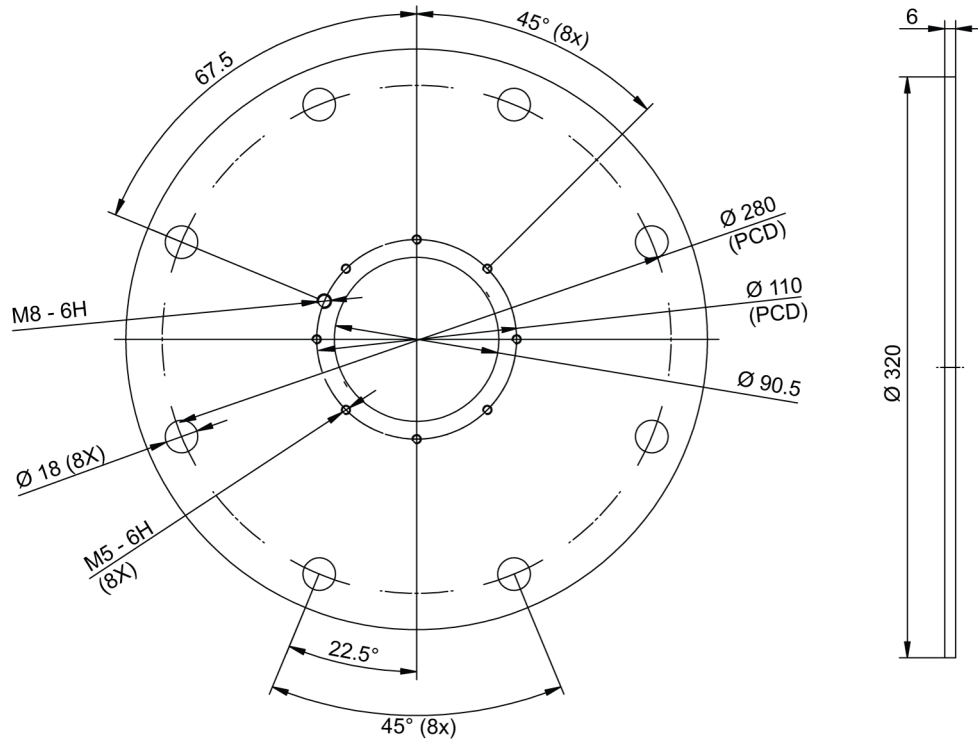
Figure 1. Flange dimensions PG11 & PGE11 DIN150

G023056

DUCT KIT PG11 & PGE11 DIN 200

Duct Kit		Detector + Duct Kit	
Part No.	Name	Part No.	Name
5101577-00	Duct Kit PG11 & PGE11 DIN200	5101570-00	DUCT KIT PG11 DIN 200 METHANE 0-100% LEL
		5101571-00	DUCT KIT PG11 DIN 200 PROPANE 0-100% LEL
		5101575-00	DUCT KIT PGE11 DIN 200 METHANE 16 CM 0-100% LEL

Flange dimensions (mm):



G023057

Figure 2. Flange dimensions PG11 & PGE11 DIN200

DUCT KIT PG11 & PGE11 JIS 150

Duct Kit		Detector + Duct Kit	
Part No.	Name	Part No.	Name
5101578-00	Duct Kit PG11 & PGE11 JIS 150	5101564-00	DUCT KIT PG11 JIS 150 METHANE 0-100% LEL
		5101565-00	DUCT KIT PG11 JIS 150 PROPANE 0-100% LEL
		5101572-00	DUCT KIT PGE11 JIS 150 METHANE 16CM 0-100% LEL

Flange dimensions (mm):

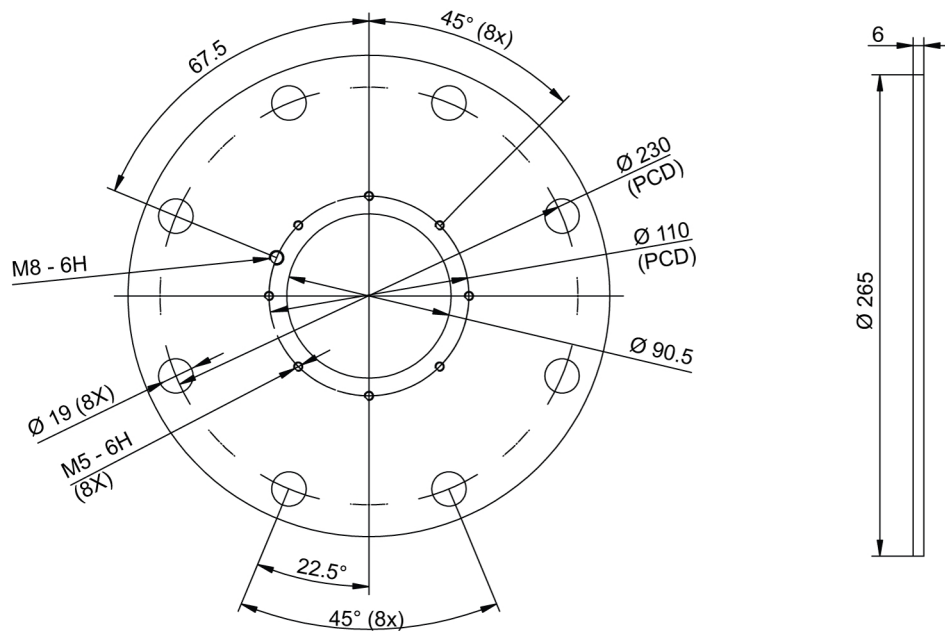
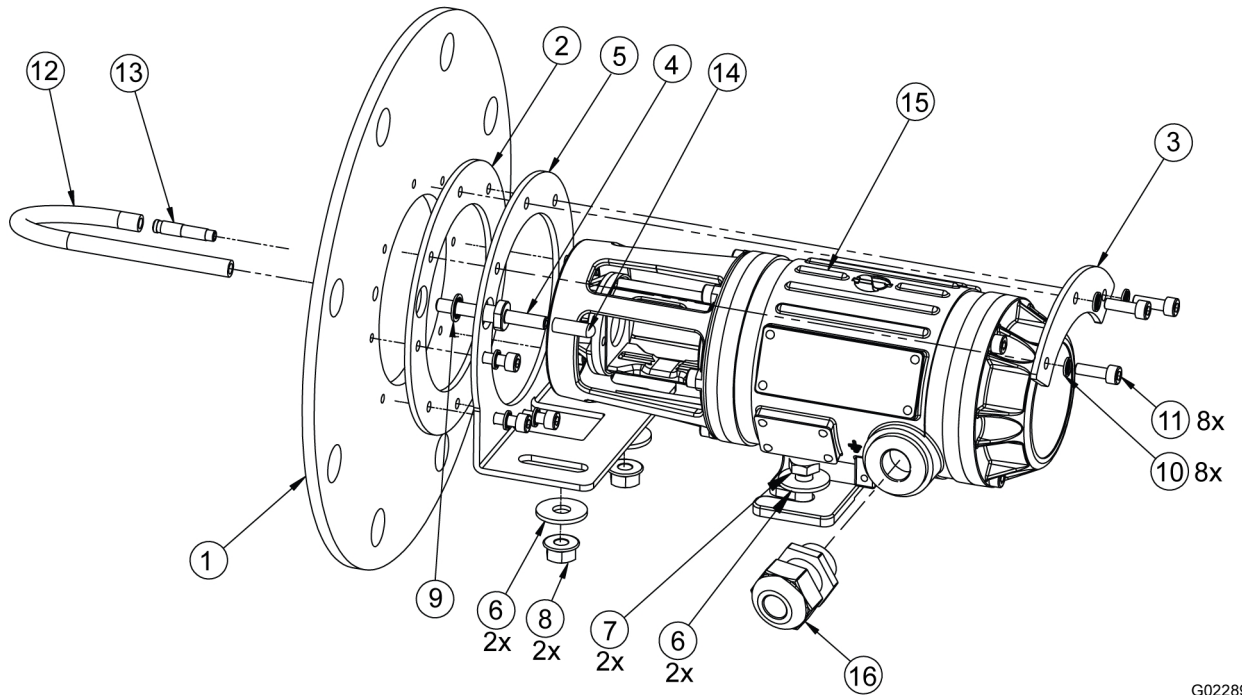


Figure 3. Flange dimensions PG11 & PGE11 JIS150

G023054

Assembly Drawing

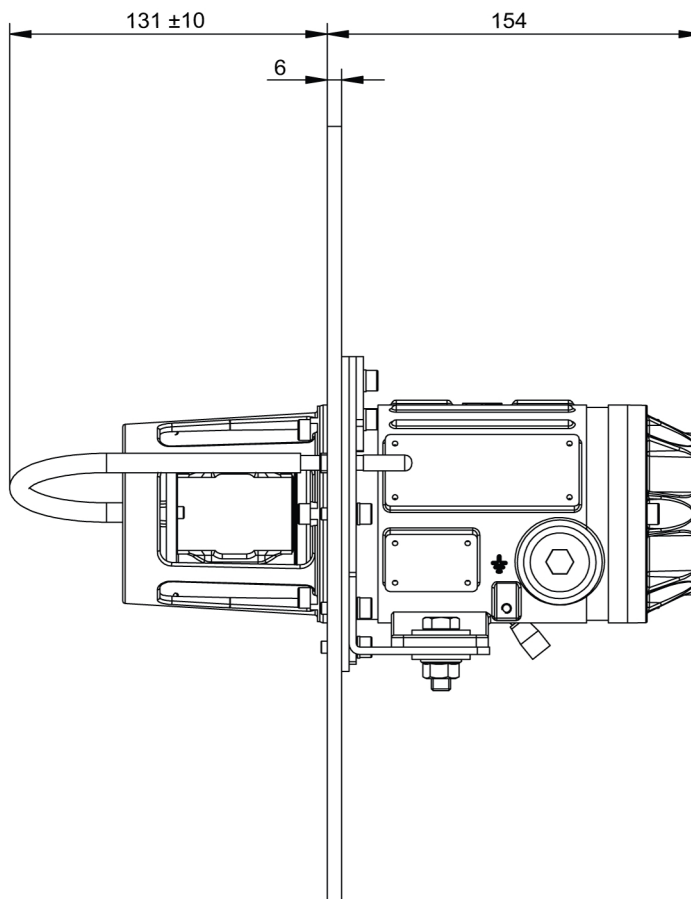


G022896

Figure 5. Assembly drawing

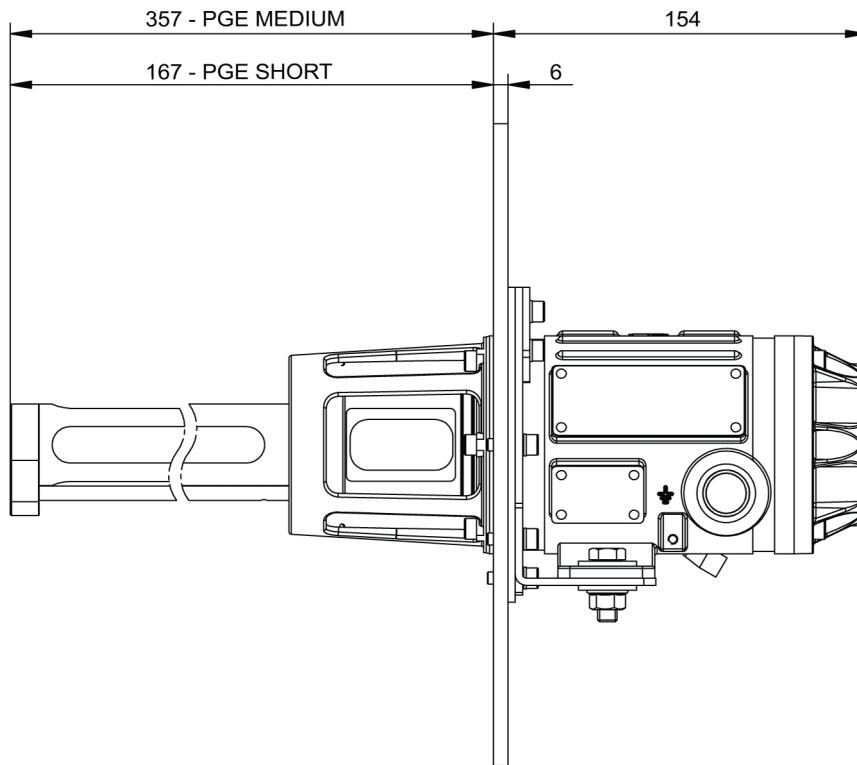
No.	Description	No.	Description
1	Flange	9	Bonded seal M8
2	Gasket	10	Bonded seal M5
3	Support bracket	11	Srew M5x16, DIN912, A4-80
4	Nozzle M8	12	Tube
5	Mounting bracket	13	Nozzle M5
6	Washer M8, ISO 7093 A4	14	Cap slip-on PVC
7	Srew M8x25, ISO4017, A4-80	15	Gas detector PG11
8	Nut M8, DIN6923, A4-80	16	Cable gland

Dimensions (mm)



G023090

Figure 6. Duct Kit Installation PG11



G023089

Figure 7. Duct Kit Installation PGE11